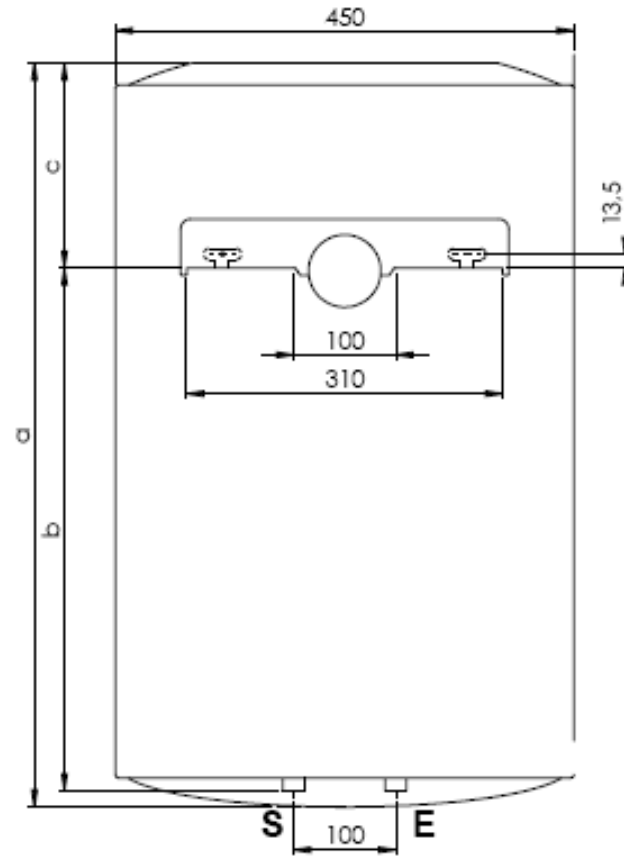
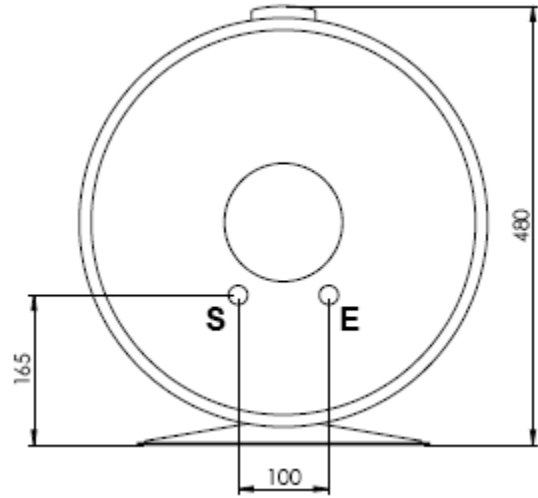


VERTICAL



PRODUCT

	a	b	c
50 l	573	369	193
80 l	778	574	193
100 l	918	726	181

C class